


Table of Contents	
2	Notes & Block Diagram
3	System power
4	Peripheral
5	Codec
6	Other interface
7	B2B Interface
8	Link2 MCU
9	Link2 SWD
10	Link2 ISP
11	LPC55S16
12	Jumper & DNP Tables

Revisions			
Rev	Description	Date	Approved
X1	Preliminary SCH design	14-AUG-2019	Amish D.
X2	Preliminary SCH design	19-AUG-2019	Amish D.
X3	Deleted J14 & J15 Added TP matrix	21-AUG-2019	Amish D.
X4	- J20, J21 & J22 Populated - Added TP matrix - Removed redundant caps and resistors - Jumper/DNP table updated	22-AUG-2019	Amish D.
A	Final Schematic and BOM	09-SEP-2019	Amish D.
A1	Jumper table Updated	14-NOV-2019	Amish D.
AX2	- R22 Removed - CAN terminations added - CAN_TXD tied to J9 - CAN_RXD tied to J13 - JP9 description modified. - JP12 Jumper (default):Open - Jumper table updated	09-JAN-2020	Amish D.
B	Final Schematic and BOM	09-JAN-2020	Amish D.
B1	C462, C463, C464 & C465 to DNP	07-FEB-2020	Amish D.

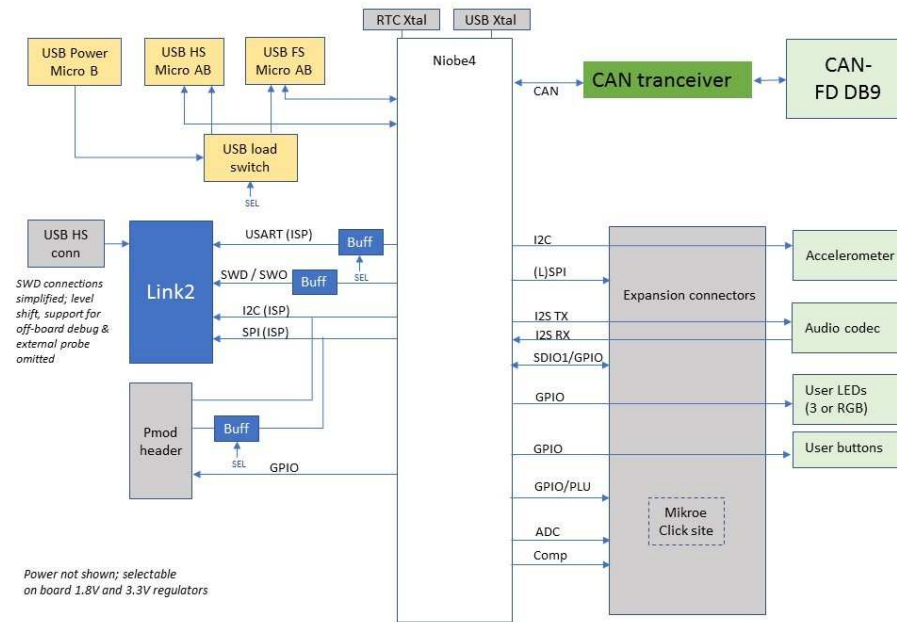
LPC55S16-EVK

		Microcontroller Solutions Group 6501 William Cannon Drive West Austin, TX 78735-8598	
<small>This document contains information proprietary to NXP and shall not be used for engineering design, procurement or manufacture in whole or in part without the express written permission of NXP Semiconductors.</small>			
Designer: Fernanda I.	Drawing Title: LPC55S16-EVK	CP: _____	UID: X PUBE: _____
Drawn by: Fernanda I.	Page Title: Title, TOC & Rev		
Approved: Amish D.	Size C	Document Number SCH-46431 PDF: SPF-46431	Rev B1
Date: Friday, February 07, 2020	Sheet 1 of 12		

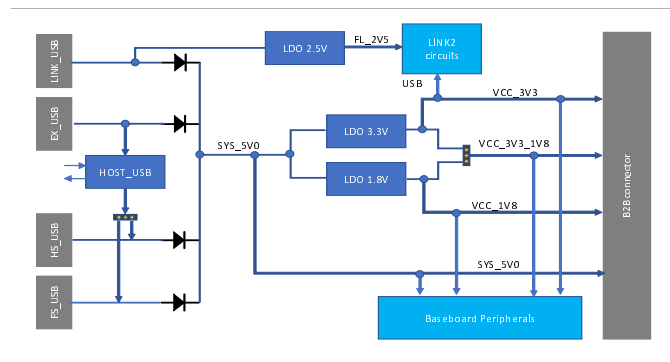
This Color is for CAD Notes

This Color is for Silk

System Block Diagram

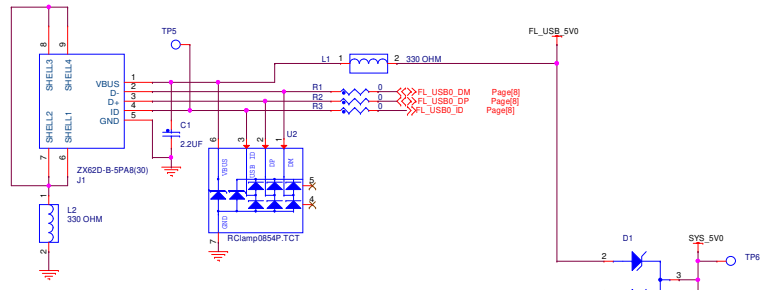


Power Block Diagram

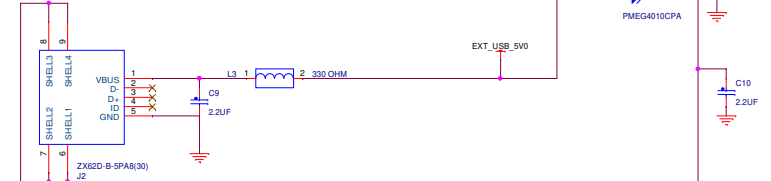


Classification: Company Internal/Proprietary			
Drawing Title: LPC55S16-EVK			
Page Title: Block Diagram			
Size C	Document Number SCH-46431 PDF: SPF-46431	Rev B1	
Date: Friday, February 07, 2020	Sheet 2	of 12	

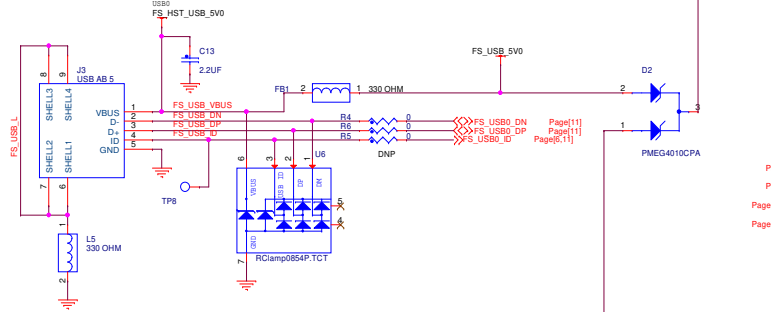
Link2
MICRO B



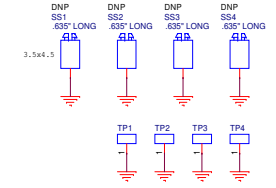
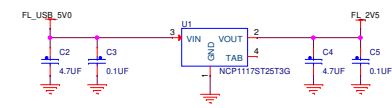
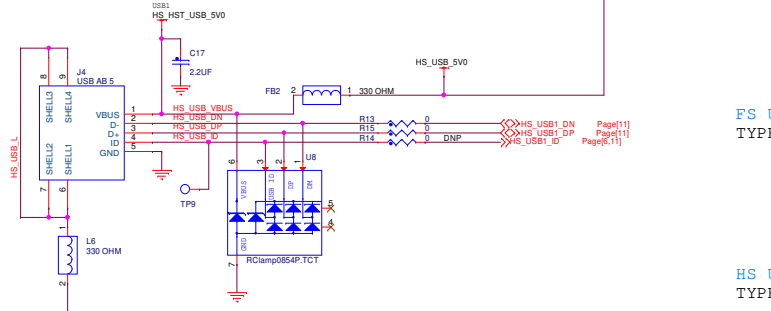
EXT Supply
External Supply
MICRO B



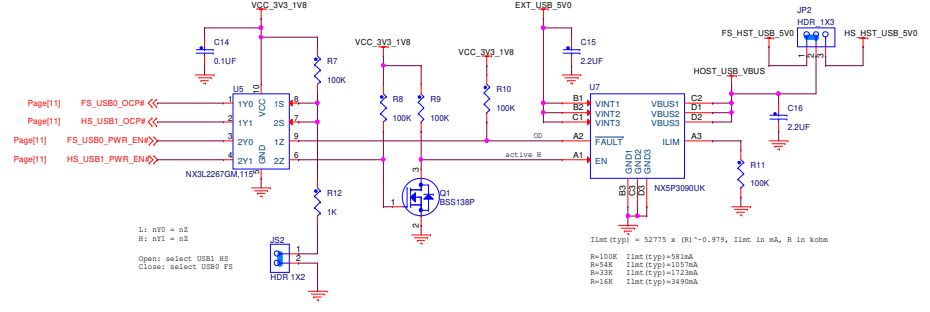
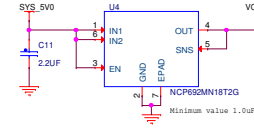
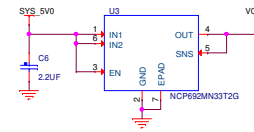
FS USB
MICRO AB



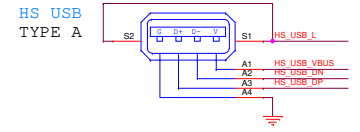
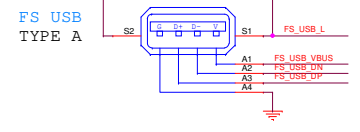
HS USB
MICRO AB



Max output current from NCP692 is 1A



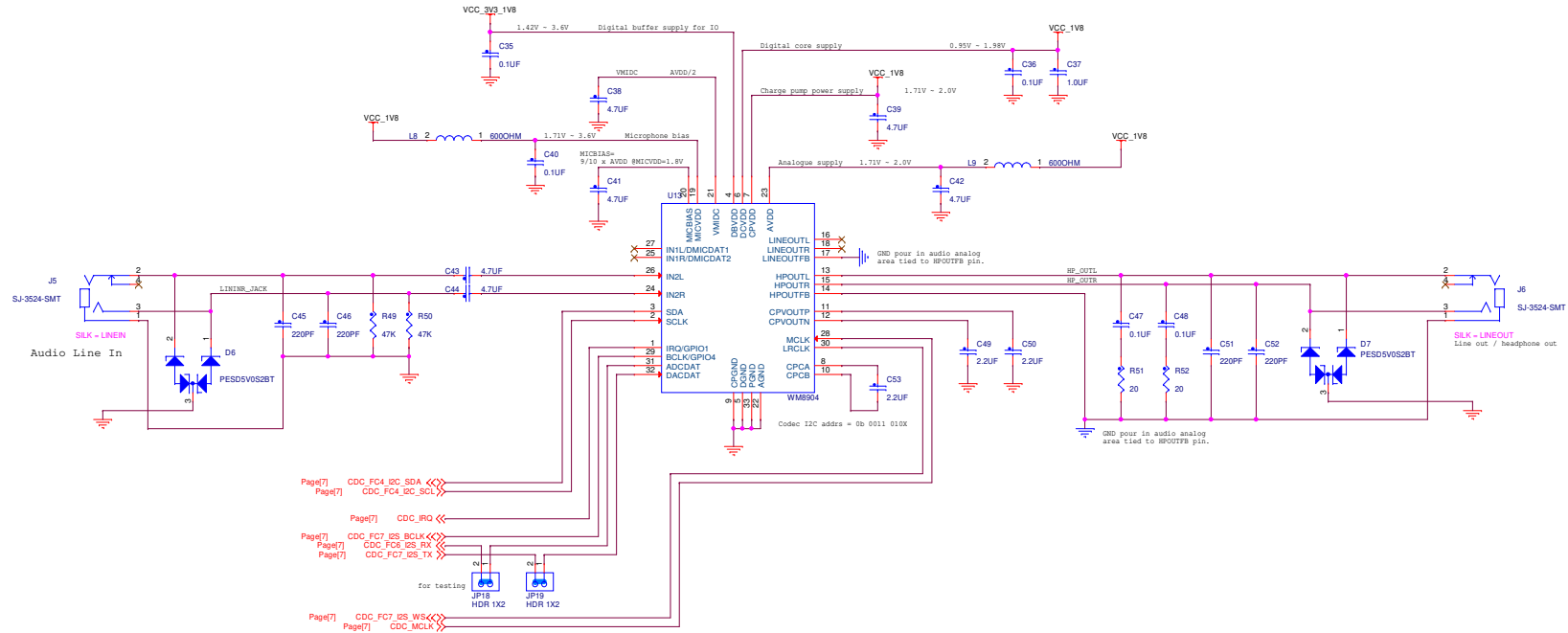
L: n*0 = nZ
R: n*1 = nZ
Open: select USB1_B3
Close: select USB0_F5
Ilim (typ) = 52775 x (R1) ~ 0.979, Ilim in mA, R1 in kohm
R=100K Ilim (typ)=581mA
R=54K Ilim (typ)=6307mA
R=33K Ilim (typ)=1723mA
R=18K Ilim (typ)=3490mA



NXP

Classification: Company Internal/Proprietary
Drawing Title: **LPC55S16-EVK**
Page Title: **System power**

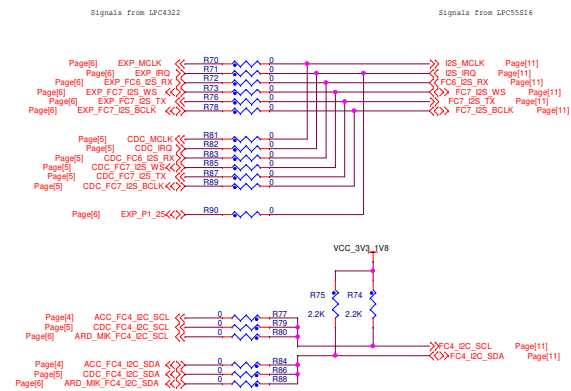
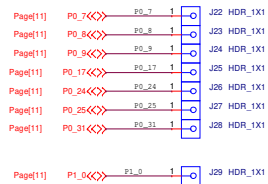
Size C	Document Number SCH-46431 PDF: SPF-46431	Rev B1
Date: Friday, February 07, 2020	Sheet 3 of 12	



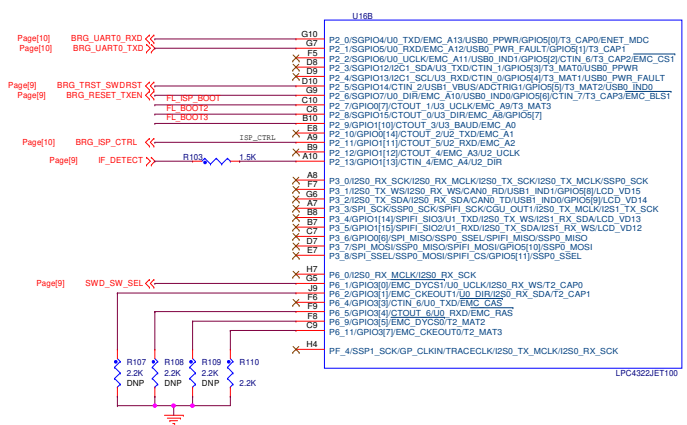
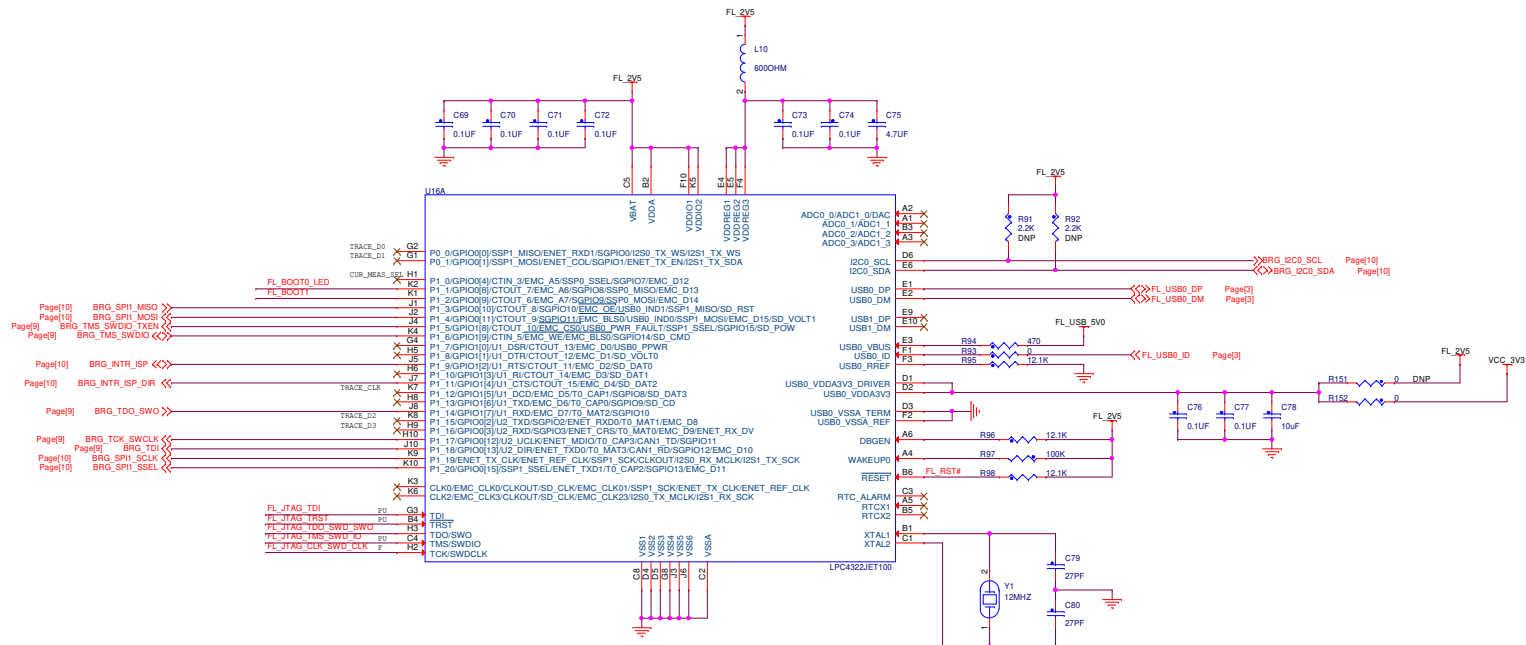
- Page[7] CDC_FC4_I2C_SDA <<
- Page[7] CDC_FC4_I2C_SCL <<
- Page[7] CDC_I2C <<
- Page[7] CDC_FCT_I2S_BCLK <<
- Page[7] CDC_FCO_I2S_RX <<
- Page[7] CDC_FCT_I2S_TX <<
- For testing
- Page[7] CDC_FCT_I2S_WS <<
- Page[7] CDC_MCLK <<

Classification: Company Internal/Proprietary		
Drawing Title: LPC55S16-EVK		
Page Title: Codec		
Size C	Document Number SCH-46431 PDF: SPF-46431	Rev B1
Date: Friday, February 07, 2020	Sheet 5 of 12	

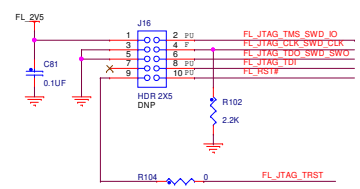
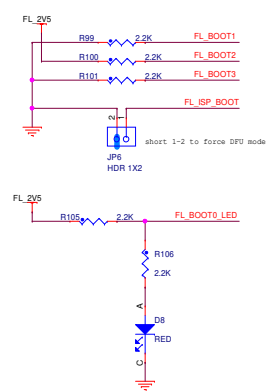
LPC55S16 - GPIO



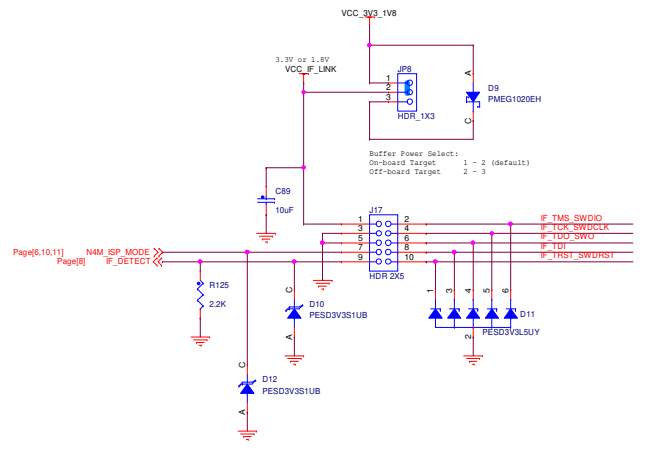
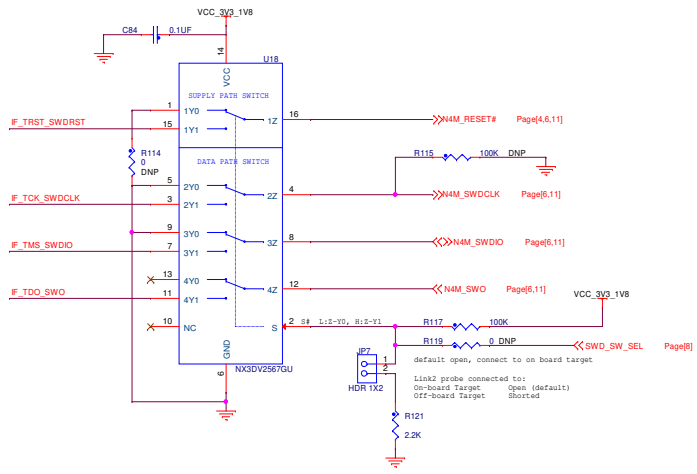
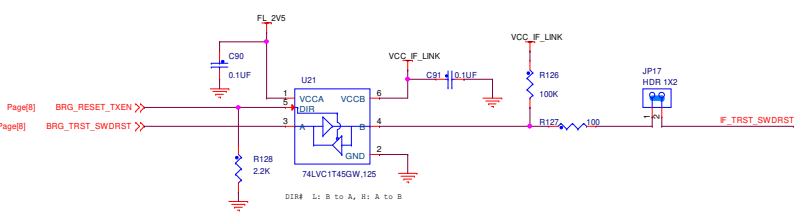
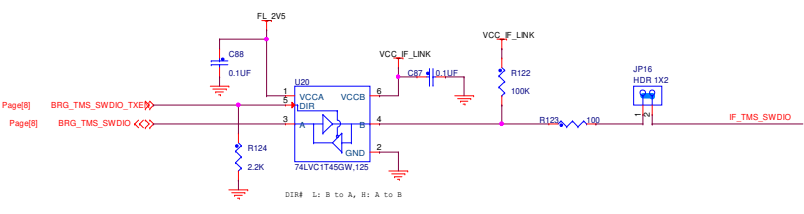
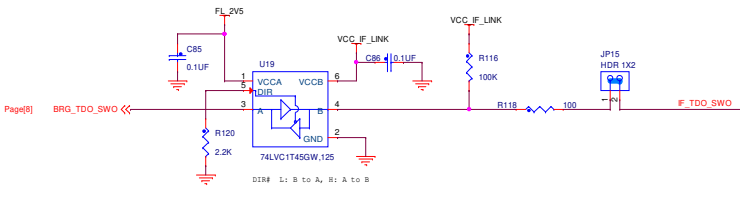
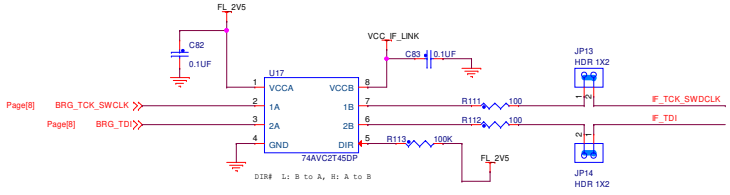
Classification: Company Internal/Proprietary			
Drawing Title: LPC55S16-EVK			
Page Title: B2B Interface			
Size C	Document Number SCH-46431 PDF: SPF-46431	Rev B1	
Date: Friday, February 07, 2020	Sheet 7	of 12	



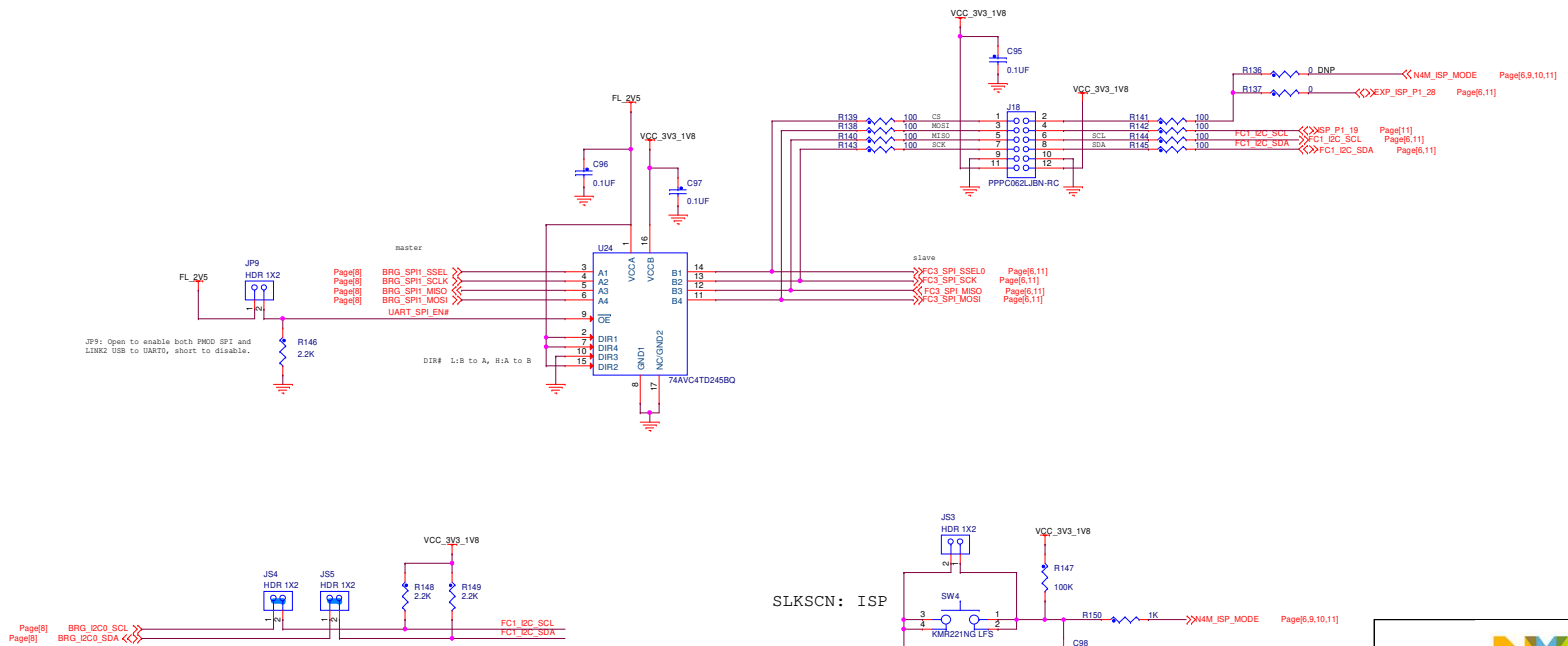
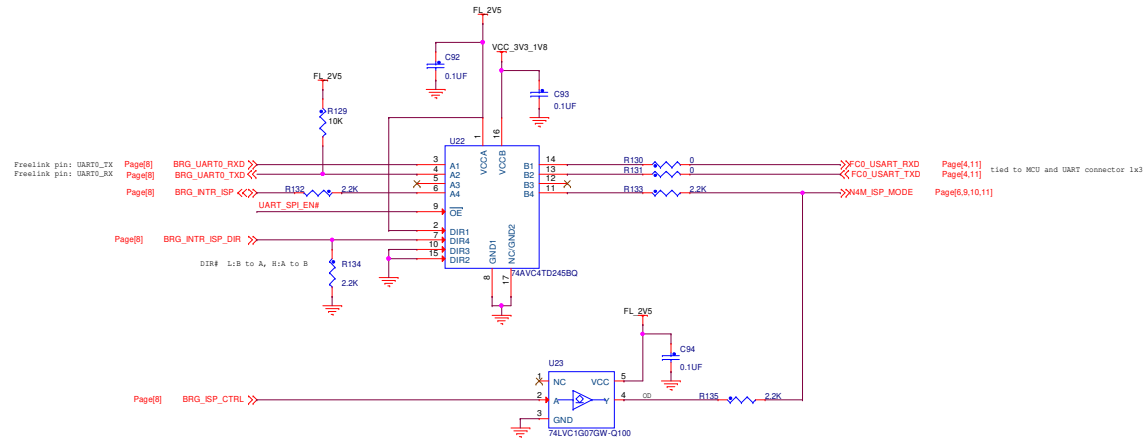
Link2
LPC4322 Boot Mode
DFU USB0 = B3:0 = 0101



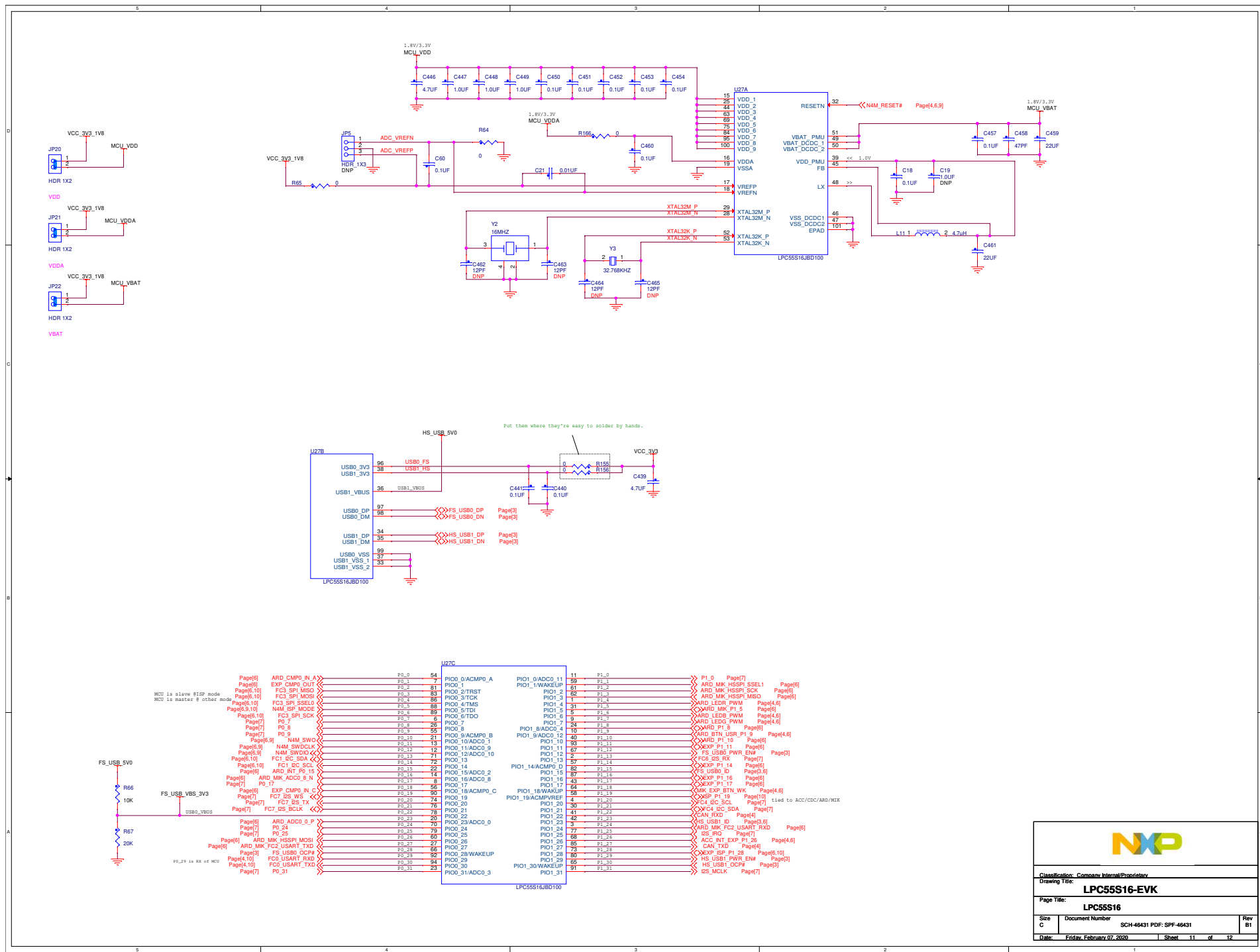
Classification: Company Internal/Proprietary			
Drawing Title: LPC5516-EVK			
Page Title: Link2 MCU			
Size C	Document Number	SCH-46431 PDF: SPF-46431	Rev B1
Date:	Friday, February 07, 2020	Sheet	8 of 12



Classification: Company Internal/Proprietary			
Drawing Title: LPC55S16-EVK			
Page Title: Link2 SWD			
Size	Document Number	SCH-46431 PDF: SPF-46431	Rev
C			B1
Date:	Friday, February 07, 2020	Sheet	9 of 12



Classification: Company Internal/Proprietary			
Drawing Title: LPC55S16-EVK			
Page Title: Link2 ISP			
Size C	Document Number	SCH-46431 PDF: SPF-46431	Rev B1
Date:	Friday, February 07, 2020	Sheet	10 of 12



NXP

Classification: Company Internal/Proprietary
 Drawing Title: **LPC55S16-EVK**
 Page Title: **LPC55S16**

Size	Document Number	Rev
C	SCH-46431 PDF: SPF-46431	B1

Date: Friday, February 07, 2020 Sheet 11 of 12

Jumper Table

REF DES	JUMPER(DEFAULT)	PAGE NAME
JP1,JS2,JP2	1-2	03 - System Power
JP24,JP23,JP3,JP12	OPEN	04 - Peripheral
JP19,JP18	1-2	05 - Codec
J11	OPEN	06 - Other Interface
JP6	2	08 - Link2 MCU
JP17,JP14,JP16,JP8,JP13,JP15	1-2	09 - Link2 SWD
J17,JP7	OPEN	09 - Link2 SWD
JS4,JS5	1-2	10 - Link2 ISP
J18,JS3,JP9	OPEN	10 - Link2 ISP
JP20,JP22,JP21	1-2	11 - LPC55S16

DNP Table

REF DES	ASSY OPT	PAGE NAME
J21,R5,R14,JS1,J20,SS4,SS3,SS2,SS1	DNP	03 - System Power
R34,R35,R32,R33	DNP	04 - Peripheral
JP4,R63	DNP	06 - Other Interface
R107,R108,R109,R91,R92,J16,R151	DNP	08 - Link2 MCU
R115,R119,R114	DNP	09 - Link2 SWD
R136	DNP	10 - Link2 ISP
C464,C462,C465,C463,C19,JP5	DNP	11 - LPC55S16



Classification: Company Internal/Proprietary		
Drawing Title: LPC55S16-EVK		
Page Title: Jumper & DNP Tables		
Size: C	Document Number: SCH-46431 PDF: SPF-46431	Rev: B1
Date: Friday, February 07, 2020	Sheet 12 of 12	